

Distributed by:

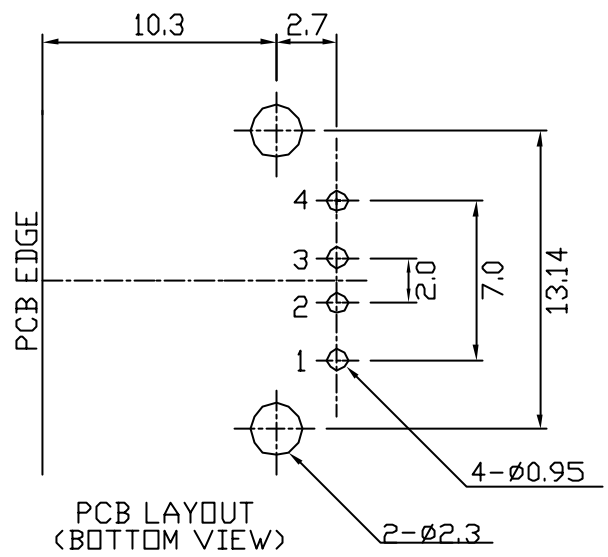
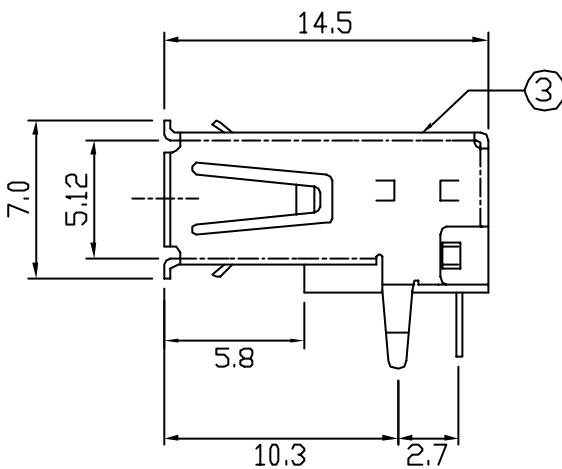
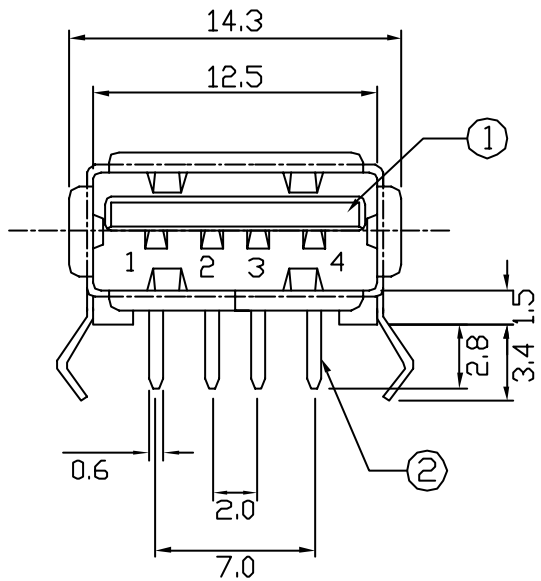
JAMECO[®]
ELECTRONICS

www.Jameco.com ♦ 1-800-831-4242

The content and copyrights of the attached
material are the property of its owner.

Jameco Part Number 161024

REV	ZONE	REVISION	DATE



NO.	NAME	MATERIAL	FINISH	REMARK	QTY
1	HOUSING	PBT G.F.	WHITE		1
2	PIN TERM.	PHOS. BRONZE T:0.25	GOLD/TIN PLATED	Gold:1~3u", Ni:40~60u", TIN:120u" (100% pure Tin of lead free plating)	4
3	SHELL	BRASS T:0.3	NICKEL PLATED	Ni:80~120u"	1

TOP WILLING CO., LTD.

COMPUTER NO.	UNIT	SCALE	PART NAME	
1040-R	mm	3:1	USB, TYPE A FLAT 90° DIP	
	DATE	TOLERANCE	PART NO.	REV.
	TINA	±0.3		A

MODEL KS-001-ANW-L PAGE 1 OF 1